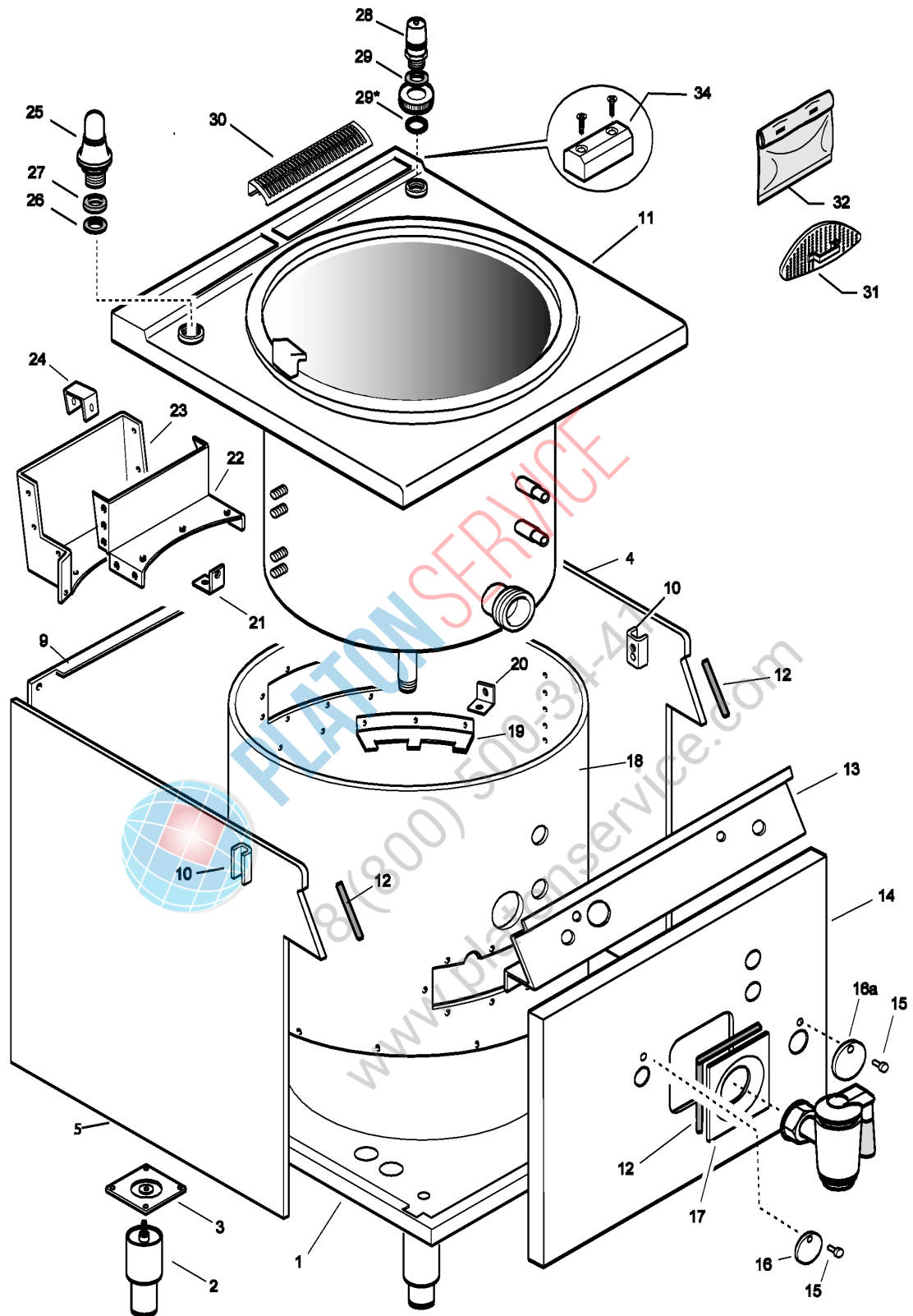


PNC	Model	Ref	Pag.	Brand	Version	Notes
391100	E9BSGHIPF0	a	2..8	ELX	GAS	80/100LT
391101	E9BSGHIPFR	c	2..8	ELX	GAS	80/100LT AUTOMATIC
391102	E9BSGHIRF0	b	2..8	ELX	GAS	100/150LT
391103	E9BSGHIRFR	d	2..8	ELX	GAS	100/150LT AUTOMATIC
391104	E9BSGHIRFC	F	2..8	ELX	GAS	100/150LT AUTOCLAVE
391118	E9BSEHIPF0	e	2..8	ELX	EL	80/100LT
391119	E9BSEHIPFR	f	2..8	ELX	EL	80/100LT AUTOMATIC
391120	E9BSEHIRF0	g	2..8	ELX	EL	100/150LT
391121	E9BSEHIRFR	h	2..8	ELX	EL	100/150LT AUTOMATIC
391122	E9BSEHIRFC	G	2..8	ELX	EL	100/150LT AUTOCLAVE
392100	Z9BSGHIPF0	i	2..8	ZAN	GAS	80/100LT
392101	Z9BSGHIPFR	l	2..8	ZAN	GAS	80/100LT AUTOMATIC
392102	Z9BSGHIRF0	m	2..8	ZAN	GAS	100/150LT
392103	Z9BSGHIRFR	n	2..8	ZAN	GAS	100/150LT AUTOMATIC
392104	Z9BSGHIRFC	o	2..8	ZAN	GAS	100/150LT AUTOCLAVE
392118	Z9BSEHIPF0	p	2..8	ZAN	EL	80/100LT
392119	Z9BSEHIPFR	q	2..8	ZAN	EL	80/100LT AUTOMATIC
392120	Z9BSEHIRF0	r	2..8	ZAN	EL	100/150LT
392121	Z9BSEHIRFR	s	2..8	ZAN	EL	100/150LT AUTOMATIC
392122	Z9BSEHIRFC	t	2..8	ZAN	EL	100/150LT AUTOCLAVE
393100	A9BSGHIPF0	u	2..8	OEM	GAS	80/100LT
393101	A9BSGHIPFR	v	2..8	OEM	GAS	80/100LT AUTOMATIC.
393102	A9BSGHIRF0	z	2..8	OEM	GAS	100/150LT
393103	A9BSGHIRFR	A	2..8	OEM	GAS	100/150LT AUTOMATIC
393118	A9BSEHIPF0	B	2..8	OEM	EL	80/100LT
393119	A9BSEHIPFR	C	2..8	OEM	EL	80/100LT AUTOMATIC
393120	A9BSEHIRF0	D	2..8	OEM	EL	100/150LT
393121	A9BSEHIRFR	E	2..8	OEM	EL	100/150LT AUTOMATIC

Pag	Index	Indice	Note
2	General components	Componenti struttura	
3	Cover components	Componenti coperchio	
4	Gas components	Componenti Gas	
5	Pilot / Burner Nozzle	Tabelle ugelli	
6	Electric components	Componenti elettrici	
7	Automatic Components	Componenti carico auto	
8	Electric Components	Componenti Elewtrrici	
9	Drain valve	Valvola di scarico	
10...13	Spare parts list	Lista ricambi	

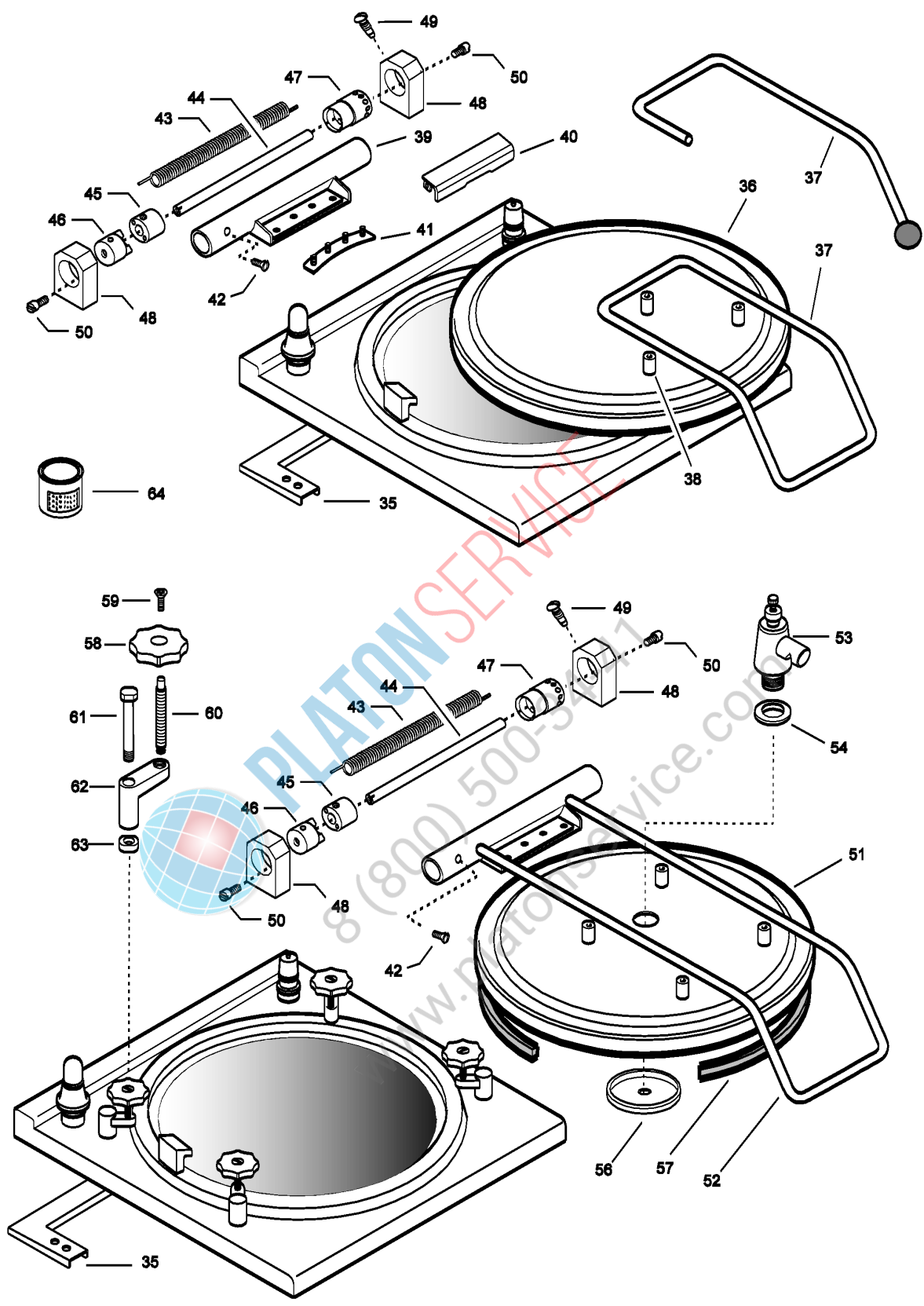


Da Ser. Nr. / From Ser. Numb. : 1 16 Ed. 2011 - 05
 PAG 2

Doc. **59785Q500**

??????	391120									
??????	59785Q500	???????? 2	General components							
.		Alias		S			.			(Euro)
0001	000000	50489KA00							100 lt	
0001	000000	50489KB00							150 lt	
0002	0C0204	835856900		S	C			FOOT; Ø=50,5MM; PIN M10; AISI 304		22,11
0003	000000	50589CD00								
0004	000000	85089JC00							ELX	
0004	000000	85089JF00							ZAN, OEM	
0005	000000	85089JD00							ELX	
0005	000000	85089JG00							ZAN, OEM	
0009	000000	538844801								
0010	0C0156	527850500		S				BRACKET		2,41
0011	000000	87089NX00							ELX- Autoclave, F	
0011	0C7540	87089B300			D			PAN; COMPLETE	ELX	
0011	0C7544	87089B700			D			PAN; COMPLETE	ELX	2 466,00
0011	0C7545	87089B801			D			PAN; COMPLETE	ELX - Automatc	2 477,00
0011	0C7547	87089FL00			D			PAN; COMPLETE	ZAN, OEM - GAS	2 426,00
0011	0C7548	87089FM00			D			PAN; COMPLETE	ZAN, OEM - GAS	2 456,00
0011	0C7549	87089FN00			D			PAN; COMPLETE	ZAN, OEM - GAS - Autoclave	2 517,00
0011	0C7554	87089FT00			D			PAN; COMPLETE	ZAN, OEM - EL	2 466,00
0011	0C7556	87089FV00			D			PAN; COMPLETE	ZAN, OEM - EL	2 477,00
0011	0C7557	87089FW00			D			PAN; COMPLETE	ZAN, OEM - EL - Autoclave	2 568,00
0012	0C2496	543821900		S				GASKET; CONTROL PANEL; BY METER; GREY		6,07
0013	000000	50389PS00							OEM	
0013	0C7535	85089BQ00			D			BOTTOM	ELX	
0013	0C7559	87089GW00						PUSH BUTTON;W/OUT WIRING HARNESS 250V10A	ZAN	33,09
0014	0C7804	50389Y200			D			FRONT PANEL	ZAN, OEM - 150lt - GAS	260,90
0014	0C7805	50389Y100			D			FRONT PANEL	ZAN, OEM - 100lt - GAS	260,90
0014	0C7807	50389Y300			D			FRONT PANEL	ZAN, OEM - 100 lt - EL	248,70
0014	0C7808	50389Y400			D			FRONT PANEL	ZAN, OEM - 150 lt - EL	248,70
0014	0C8054	50389XY00			D			FRONT PANEL	ELX - 150 lt - EL	195,90
0014	0C8055	50389XX00			D			FRONT PANEL	ELX - 100 lt - EL	248,70
0014	0C8056	50389XW00			D			FRONT PANEL	ELX - 150 lt - GAS	202,00
0014	0C8057	50389XV00			D			FRONT PANEL	ELX - 100 lt - GAS	202,00
0015	026187	214473001		S				PIN		2,72
0016	002534	508837201						DOOR		12,86
0017	0C0709	529845500						PANEL	Not Autoclave	36,74
0018	0C0740	524882302						COMBUSTION DRUM	100 lt	143,10

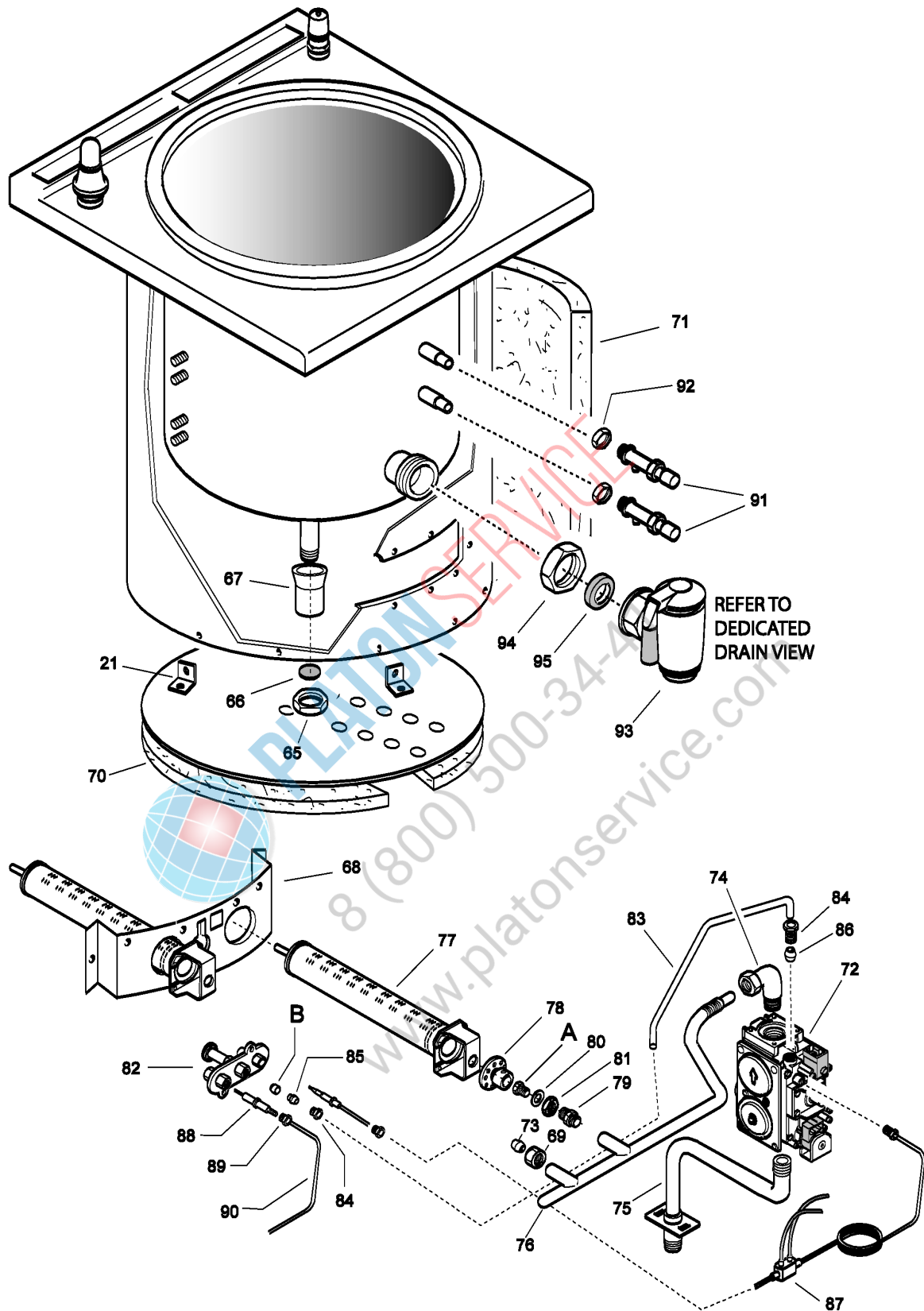
??????	391120									
??????	59785Q500	???????? 2	General components							
.		Alias		S			.			(Euro)
0018	0C0741	524882102						COMBUSTION DRUM	150 lt	124,80
0019	000000	528820303								
0020	000000	527839601								
0021	0C0814	508818601						BRACKET		4,08
0022	000000	524882802							150 lt	
0022	000000	524884703							100 lt	
0023	000000	524882901							150 lt	
0023	000000	524884802							100 lt	
0024	000000	527841202								
0025	056691	835817102		S				SPRING-LOADED SAFETY VALVE; 0.45 BAR		161,40
0026	051553	282218301		S				GASKET		1,89
0027	0C0710	514895803		S				PIPE FITTING	Not for pos. F G o t	31,97
0028	051566	0335239101		S	C			DEPRESSION VALVE; 3/8"		33,36
0029	027300	0246173500		S				GASKET		1,02
0029	0C3448	0246005123	060597	S				GASKET		
0030	0C5624	538841900	0C7333					CHIMNEY GRID; L=400 MM	ZAN, OEM	
0030	0C7333	50389LP00		S				CHIMNEY GRID; L=400MM	ELX	25,68
0031	027114	310122725		S				GRILL		41,01
0032	0C1876	858800100	006101					WATER ADDITIVE AGAINST CORROSION		
0034	0C0137	516860700	0C9655	S		+		PLATE		
016a	000000	527843000								



Da Ser. Nr. / From Ser. Numb. : 1 16 Ed. 2011 - 05
 PAG 3

Doc. **59785Q500**

??????	391120									
??????	59785Q500	???????? 3							Cover components	
.		Alias		S			.			(Euro)
0035	000000	800833300							NOT AUTOCLAVE up to 5081...	
0035	0C0713	50489SK00						REINFORCEMENT	NOT AUTOCLAVE from 5091...	51,05
0036	0C0714	873838100		S				LID	NOT AUTOCLAVE	357,30
0037	0C0691	517876502						HANDLE	ZAN NOT AUTOCLAVE	93,28
0037	0C2072	853891400						HANDLE; ASSY	ELX NOT AUTOCLAVE	70,64
0038	004468	517856900		S				SPACER		11,30
0039	006181	800814505		S				SUPPORT	NOT AUTOCLAVE	113,70
0040	006926	800823302		S				COVER	NOT AUTOCLAVE	39,79
0041	006925	805878802		S				LID REINFORCEMENT	NOT AUTOCLAVE	18,88
0042	0C2776	217224125	0C2777	S				SCREW; M6X12 UNI 6110 AISI 304	NOT AUTOCLAVE	
0043	002981	516804700		S				SPRING	AUTOCLAVE	25,48
0043	059518	514894501		S				SPRING	NOT AUTOCLAVE	24,46
0044	059862	514894802		S				AXIS; ØE=16MM; L=437MM	NOT AUTOCLAVE	22,23
0045	002982	516804500		S				STOPPING		28,83
0046	059864	514894303		S				BLOCK; FOR HINGE		27,71
0047	002983	516804600		S				BLOCK; STAINLESS STEEL		45,98
0048	002944	514894602		S				HINGE SUPPORT		53,08
0049	059859	514895002		S				SCREW: M6		6,69
0050	059860	514894701		S				SCREW		6,27
0051	059866	874849404						LID	AUTOCLAVE	911,00
0052	0C0742	831807501	0C7923					HANDLE	AUTOCLAVE	
0053	052623	835801801			C			FUME EXHAUST VALVE; 1/2" M	AUTOCLAVE	102,50
0054	027300	246173500		S				GASKET		1,02
0056	025220	204751901						CAP	AUTOCLAVE	18,82
0057	000000	569805200							AUTOCLAVE	
0058	010142	315280901						KNOB	AUTOCLAVE	18,09
0059	010147	214063000		S				SCREW	AUTOCLAVE	4,08
0060	052616	514802301						PIN	AUTOCLAVE	31,36
0061	052614	514802001		S				DUMMY SCREW	AUTOCLAVE	45,07
0062	052612	511800201						ARM	AUTOCLAVE	64,45
0063	052615	514802201						RING NUT	AUTOCLAVE	24,26
0064	003363	167098086		S	N			LUBRICANT; 500ML		44,00



Da Ser. Nr. / From Ser. Numb. : 1 16 Ed. 2017 - 01
 PAG 4

Doc. **59785Q500**

??????		391120									
??????		59785Q500		???????? 4		Gas components					
.		Alias		S			.				(Euro)
0021	0C0814	508818601						BRACKET			4,08
0065	0C0705	514872501						NUT			11,70
0066	002869	543817900						GASKET			1,99
0067	000000	806823000									
0068	000000	529845202									
0069	041155	214108111		S				NUT			2,29
0070	000000	560841401									
0071	000000	560841102							100 lt		
0071	0C5123	560841002			D			INSULATING PANEL	150 lt		86,99
0072	002903	835819901		S	C			GAS VALVE; 820 NOVA 1/2"FF			141,00
0073	060325	215073101		S	C			DOUBLE CONE; ØE=12MM; ØI=10 MM; L=7,5MM			2,07
0074	006622	517866200						PIPE FITTING			23,65
0075	0C6379	805899H03						GAS INLET PIPE			53,08
0076	0C6366	805899J02						GAS FEED PIPE	150 lt		101,20
0076	0C6378	805899L01						GAS FEED PIPE	100 lt		98,15
0077	0C0743	830894702		S				BURNER; 13,3 KW			64,76
0078	054039	830828001		S				AERATOR			6,59
0079	054118	514829700		S				NOZZLE			6,90
0080	054029	506833401		S				GASKET			1,02
0081	020997	214105101		S				LOCK NUT			1,25
0082	0C0744	830897501		S	C			PILOT BURNER			16,97
0083	0C0745	517875202						PIPE	100 lt		11,81
0083	0C0746	517875102						PIPE	150 lt		13,28
0084	052125	214164400		S	C			PIPE FITTING; M10X1; HOLE DIAM.4MM			1,00
0085	052127	215199700		S	C			DOUBLE CONE; DIA 4MM			1,00
0086	053665	515827401		S	C			DOUBLE CONE; DIAM.=4MM			1,00
0087	0C3162	831818901		S	C			INTERRUPTED THERMOCOUPLE; ORKLY 16400-35			30,25
0088	052610	330272401		S	C			SPARK PLUG; DIA 6X44 MM			4,40
0089	057960	214164101		S	C			PIPE FITTING; SPARK PLUG			1,25
0090	000000										
0091	0C1450	835866201		S				LEVEL TAP			56,84
0092	0C1451	516875001						FIXING RING			12,03
0093	0S0950	856841701		S	C			DRAIN TAP; 2"	Refer to dedicated page		206,00
0094	0C0716	516861001 (22901225)	0C8742					LOCK NUT	Refer to dedicated page		
0095	004986	022152300 (34012781)		S				GASKET; FOR 2" DRAIN TAP	60x49- Refer to dedicated page		4,67

A - Ugello bruciatore / Burner nozzle 100LT			
Spare Part Code	Ref. / Notes		
056470	∅ 1.45	3B/P	G30 50 mbar
054127	∅ 1.65	3B/P	G30 36 mbar
004727	∅ 2.35	2H	G20 25 mbar
002268	∅ 2.6	2L	G25 25mbar
0C0747	∅ 2.7	2ELL	G25 20 mbar
002268	∅ 2.6	2S	G25.1 25 mbar
054034	∅ 3	No CE	G20 10 mbar
056563	∅ 5	No CE	G110 8 mbar

A - Ugello bruciatore / Burner nozzle 150LT			
Spare Part Code	Ref. / Notes		
003723	∅ 1.75	3B/P	G30 36 mbar
003722	∅ 1.55	3B/P	G30 50 mbar
002268	∅ 2.60	2H	G20 25 mbar
003371	∅ 2.75	2L	G25 25mbar
006419	∅ 2.9	2ELL	G25 20 mbar
003371	∅ 2.75	2S	G25.1 25 mbar
054084	∅ 3.2	No CE	G20 10 mbar
0C3706	∅ 5.3	No CE	G110 8 mbar
514862900	∅ 4.8	No CE	G120 8 mbar

B - Ugello pilota / Pilot nozzle			
Spare Part Code	Ref. / Notes		
	n°30	3B/P	G30 36 mbar
	n°30	3B/P	G30 50 mbar
	n°41	2H	G20 25 mbar
	n°41	2L	G25 25mbar
	n°41	2ELL	G25 20 mbar
	n°41	2S	G25.1 25 mbar
	n°75	No CE	G20 10 mbar
053669	n°75	No CE	G110 8 mbar
	n°75	No CE	G120 8 mbar

Da Ser. Nr. / From Ser. Numb. : 1 16 Ed. 2013 - 02

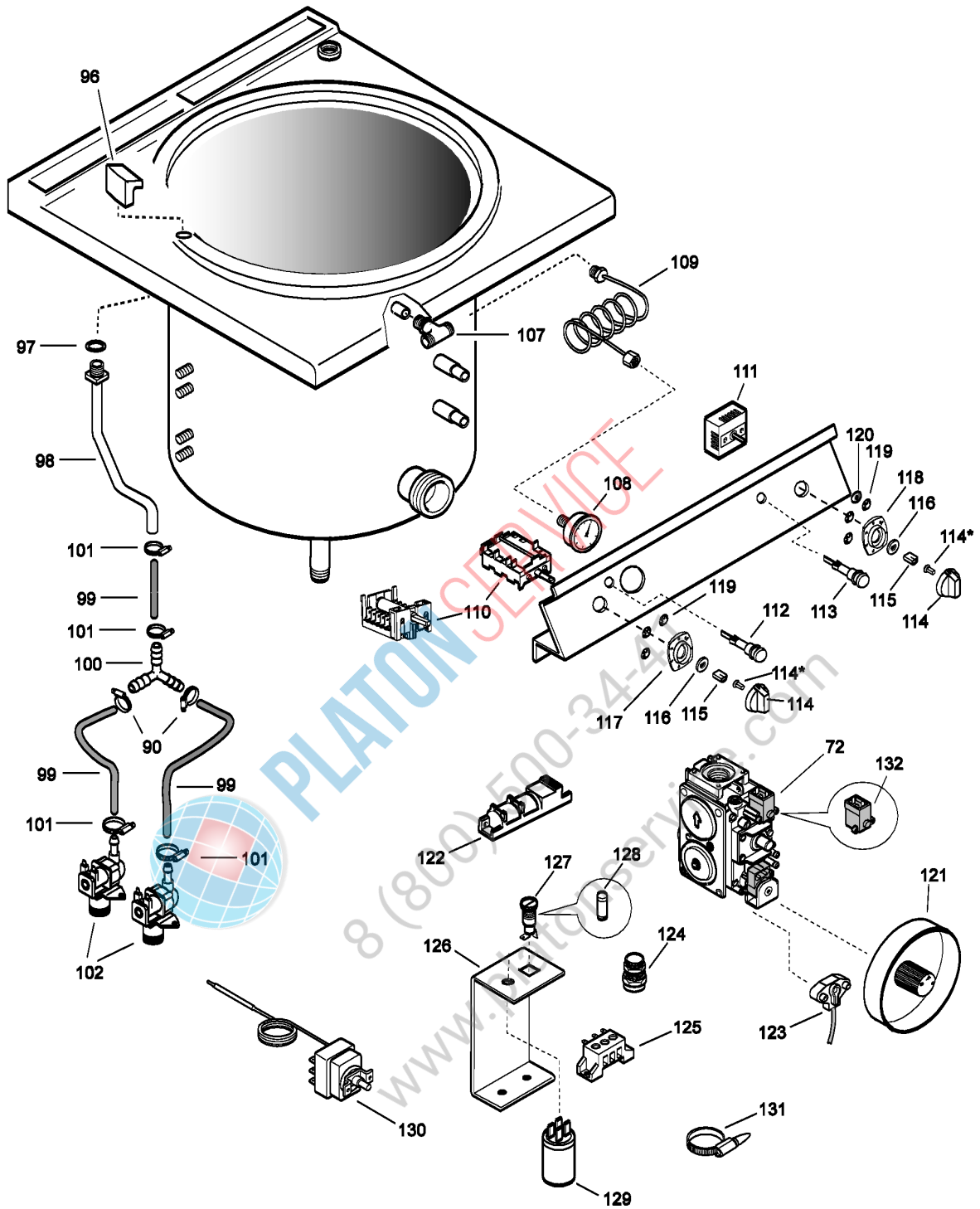
PAG 5

Doc. **59785Q500**

??????	391120								
??????	59785Q500	???????? 5				Pilot / Burner Nozzle			
.		Alias		S		.			(Euro)
0000	000000	514862900							
0000	002268			S			NOZZLE		5,54
0000	003371						NOZZLE		5,54
0000	003722						NOZZLE		5,43
0000	003723			S			NOZZLE; Ø=1,75		5,54
0000	004727						NOZZLE		5,43
0000	006419			S			NOZZLE		5,54
0000	053669			S			PILOT NOZZLE; N°75; TOWN GAS		2,21
0000	054034						NOZZLE; DIA.3,00		5,54
0000	054084			S			NOZZLE		5,05
0000	054127			S			NOZZLE		5,54
0000	056470			S			GAS NOZZLE; DIA 1,45		5,43
0000	056563						NOZZLE; DIA.5		5,10
0000	0C0747						NOZZLE; DIA. 2,70		5,43
0000	0C3706						NOZZLE; D. 5.30		



PLATON SERVICE
 8 (800) 500-34-47
 www.platonservice.com



Da Ser. Nr. / From Ser. Numb. : 1 16 Ed. 2015 - 04

PAG 6

Doc. **59785Q500**

??????		391120									
??????		59785Q500		???????? 6		Electric components					
.		Alias		S			.				(Euro)
0072	002903	835819901		S	C			GAS VALVE; 820 NOVA 1/2"FF			141,00
0090	000000										
0096	051521	211794613			C			DISTRIBUTOR			36,48
0097	052779	543800600		S				O-RING; ØI=20,35X1,78 MM			1,02
0098	0C6107	830896400						WATER PIPE			31,06
0099	002707	140068008	0C3165				PDD2005-18	ARMORED RUBBER HOSE; BY METER			
0100	047431	544615700		S				CONNECTION 3 WAY	DRA		5,86
0101	000000	835823600									
0102	0C3254	696805700		S	C			SOLENOID VALVE; 1 WAY; 180°;230V 50-60HZ			13,98
0107	0C1449	511820700						UNION TEE			14,03
0108	0C0712	830895600		S				MANOMETER			44,46
0109	059521	830866802		S				CAPILLARY			34,92
0110	059544	641802400		S				COMMUTATOR; 4 POS.	Up to 5231...		19,08
0110	0C9180	641805401						COMMUTATOR; 4 POS. 6POLE	From 5241...		20,50
0111	055016	699802200	0C1605		D			ENERGY REGULATOR			
0112	0C0687	876800201		S				PILOT LAMP ASSY; RED			4,38
0113	005010	876800002		S				GREEN PILOT LAMP ASSY; ROUND; 230V			4,76
0114	0A5621	548865500		S				KNOB; Ø PIN=6MM	OEM		9,51
0114	0C0257	548856800		S				KNOB	ZAN		9,45
0114	0C3218	548864302						KNOB	ELX		5,96
0114	0C3218	548864302						KNOB	OEM		5,96
0114	0C3218	548864302						KNOB	ZAN		5,96
0114	0C6670	511850G01	0C8700	S		+		KNOB; DIA.10	ELX		
0114	0C7345	548877V00		S				KNOB ADAPTER	ELX		1,57
0115	025245	214590701		S				KNOB SPRING			1,02
0116	053816	543821000		S				GASKET; ØI=4,5MM; ØE=14MM; H=3MM			3,29
0117	0C0711	548863601						RING NUT	ZAN, OEM		9,24
0117	0C7526	548877B00						RING NUT	ELX		7,95
0118	0C0318	548859001		S				RING NUT	ZAN, OEM		6,05
0118	0C7344	548877T00						RING NUT	ELX		7,95
0119	069567	218912211	0C6288	S				RING CONNECTION			
0120	053816	543821000		S				GASKET; ØI=4,5MM; ØE=14MM; H=3MM			3,29
0121	0C3218	548864302						KNOB	GAS		5,96
0122	004240	624804700		S				IGNITER UNIT; 2-WAYS	GAS		13,17
0123	054539	830831400		S	C			MICROSWITCH; FOR GAS VALVE	GAS		8,67
0124	000000	544802200							GAS		

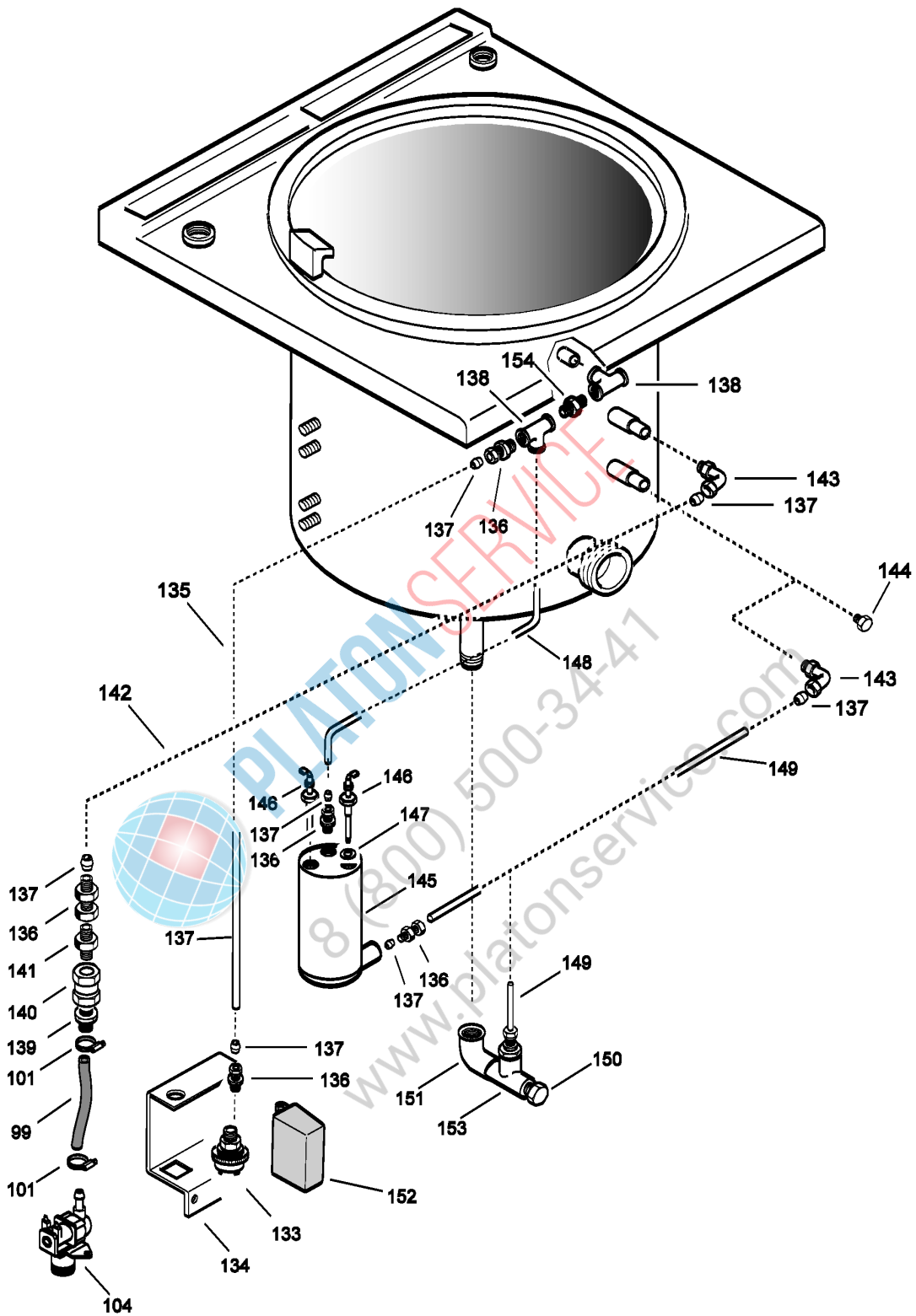
??????	391120									
??????	59785Q500	???????? 6					Electric components			
.		Alias		S			.			(Euro)
0125	046357	639804900		S			TERMINAL BOARD;3POLE; TYPE TIPO FV 110B	GAS		5,33
0126	000000	527842300						GAS		
0127	056582	652800401		S			FUSE HOLDER	GAS		10,08
0128	057783	452140500		S			FUSE; 5X20; 4A-250V	GAS		1,02
0129	046217	694601000		S			RIF FILTER	GAS		9,24
0130	0C0999	646813200		S	C		THERMOSTAT	GAS		93,15
0131	0C0717	639810200					CLIP	GAS		1,25
0132	0K3020			S	C		COIL; 220/240V 50HZ	GAS		41,40



PLATON SERVICE

8 (800) 500-34-47

www.platonservice.com

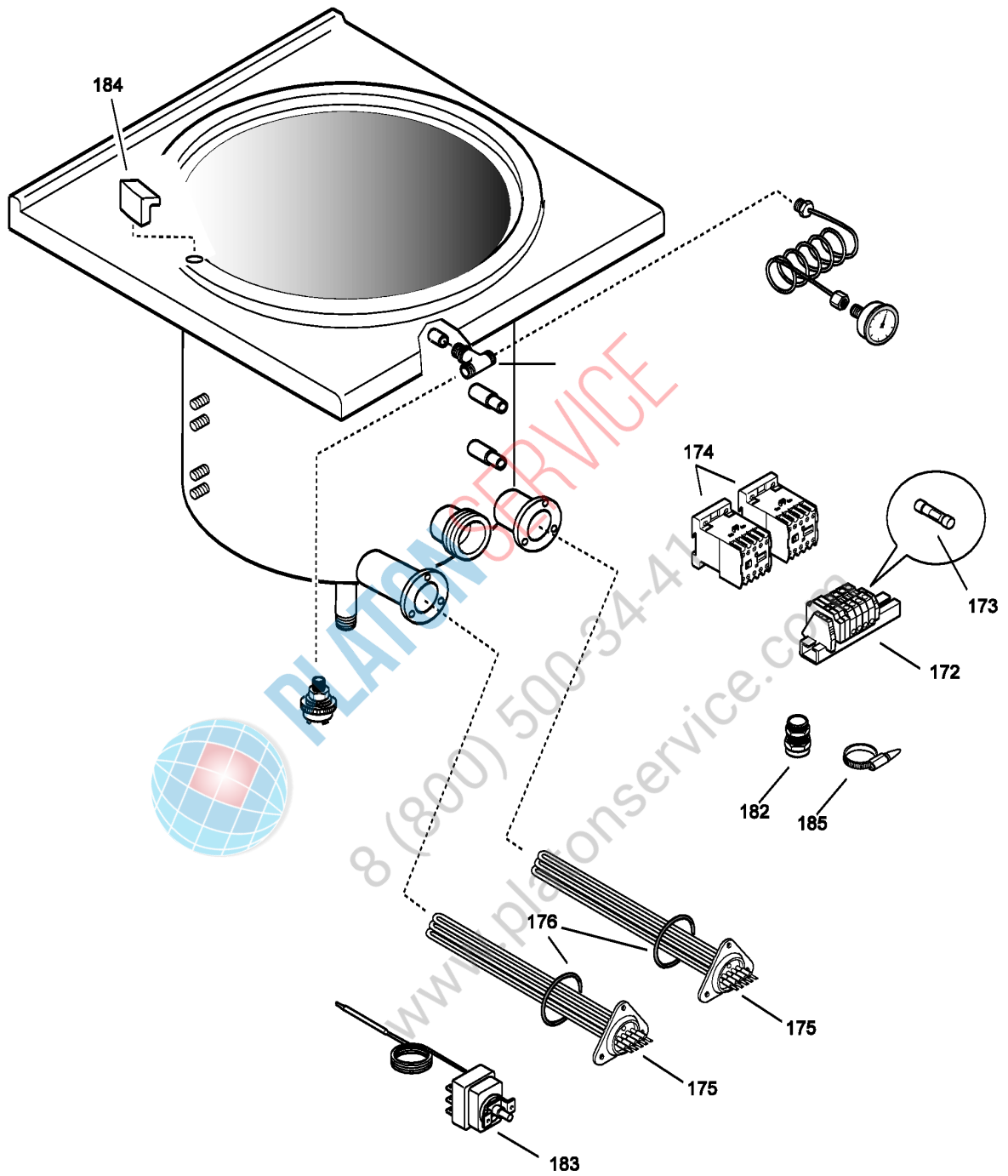


Da Ser. Nr. / From Ser. Numb. : 1 16 Ed. 2011 - 05

PAG 7

Doc. **59785Q500**

??????		391120									
??????		59785Q500		???????? 7		Automatic Components					
.		Alias		S		.				(Euro)	
0099	002707	140068008	0C3165			PDD2005-18	ARMORED RUBBER HOSE; BY METER				
0101	000000	835823600									
0104	0C0938	696805000		S			SOLENOID VALVE; 220-240 50-60HZ			13,06	
0133	0C4083	646815500		S			PRESSURE SWITCH; (0.38 - 0.3 BAR)			49,74	
0134	000000	527860900									
0135	000000	517887301									
0136	0C0888	515863500		S			PIPE FITTING			7,33	
0137	0CB036	51689A800									
0138	0C1449	511820700					UNION TEE			14,03	
0139	0C4455	517881200					PIPE FITTING; D.12-1/2"M			15,48	
0140	058258	835825500					NONRETURN VALVE; 1/2"FF			52,58	
0141	0CA744	511819600								3,50	
0142	0C0936	517887001					PIPE			21,11	
0143	0C5396	511819700					UNION ELBOW; L MALE 6/4-1/4			8,26	
0144	0CB037	511819900						80/100LT AUTOM.			
0145	0C0940	831812100					LEVEL GAUGE TUBE; ASS.			134,00	
0146	0C0939	831812000		S			PROBE; ASS.	100/150LT AUTOM.		34,21	
0146	0C1564	831812900					LEVEL PROBE	80/100LT AUTOM.		30,65	
0147	0C5234	516873100					SPACER; H9.2 MM			4,60	
0148	0C0935	517887202					PIPE			24,46	
0149	0C0941	517887102					PIPE	100/150LT AUTOM.		16,73	
0149	0C1565	517887701					PIPE	80/100LT AUTOM.		21,32	
0150	000000	230803004						80/100LT AUTOM.			
0151	000000	230134304						80/100LT AUTOM.			
0152	0C0937	646813400		S			LEVEL CONTROL			111,70	
0153	0C1040	511818100					UNION TEE	80/100LT AUTOM		5,95	
0154	0CB035	511820000									



Da Ser. Nr. / From Ser. Numb. : 1 16 Ed. 2011 - 05
 PAG 8

Doc. **59785Q500**

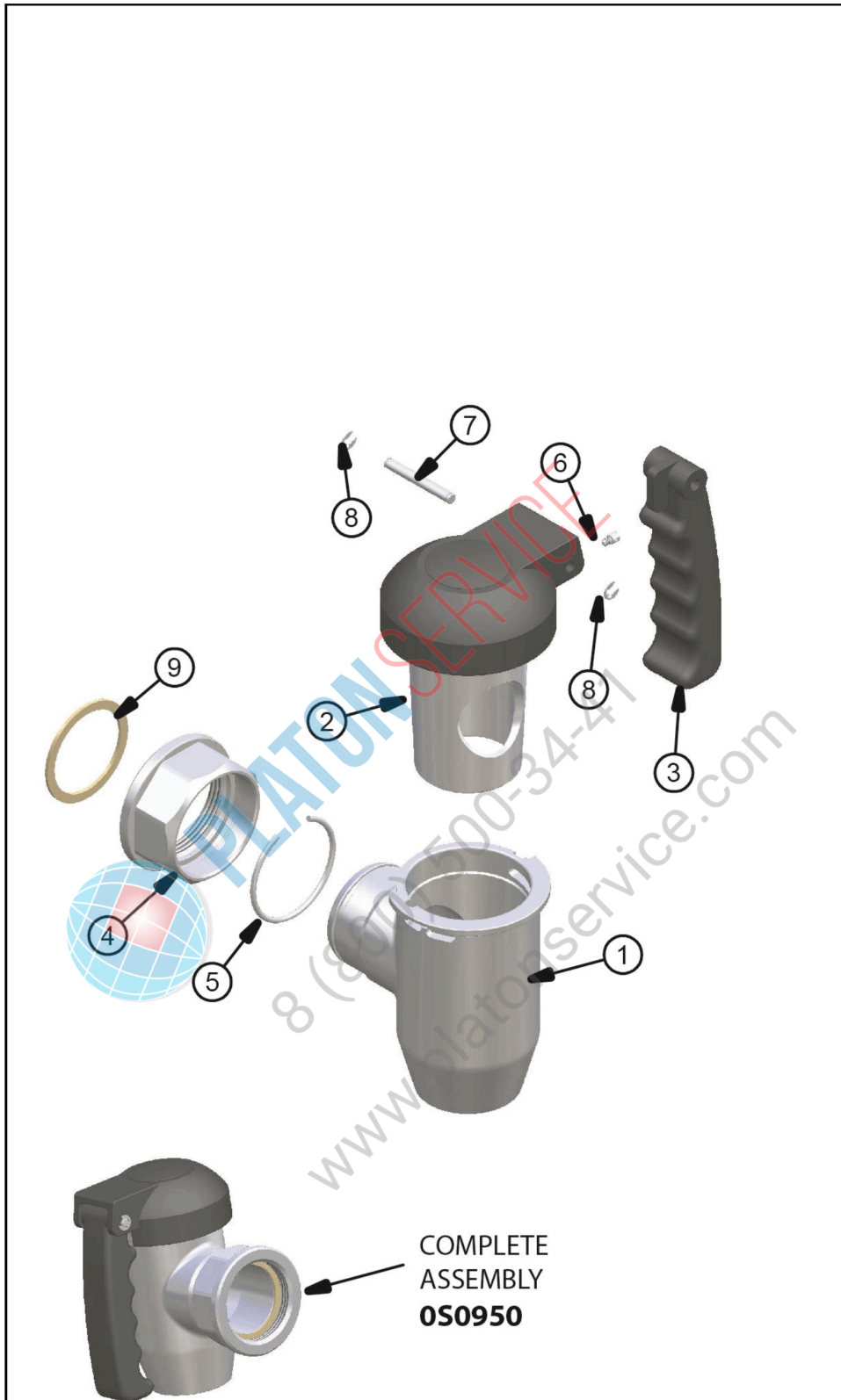
??????	391120									
??????	59785Q500		???????? 8				Electric Components			
.		Alias		S			.			(Euro)
0172	058608	639805301		S				TERMINAL BOARD	EL	35,42
0173	057783	452140500		S				FUSE; 5X20; 4A-250V	EL	1,02
0174	007080	648807700		S	C			CONTACTOR; 220-240V 50HZ/240-264 60HZ	EL	79,89
0175	0C6470	617839800		S			PDX2010 -06	HEATING ELEMENT WITH CABLE; 230V-10750W	EL	99,47
0176	046213	543800700	067620					HEATING ELEMENT GASKET	EL	
0182	0C3528	544802400						FIXING CABLE	EL	6,80
0183	004862	646809100		S	C		20010	SAFETY THERMOSTAT; 140°C	EL	88,02
0184	051521	211794613			C			DISTRIBUTOR	EL	36,48
0185	0C0717	639810200						CLIP	EL	1,25



PLATON SERVICE

8 (800) 500-34-41

www.platonservice.com



Da Ser. Nr. / From Ser. Numb. : 1 16 Ed. 2017 - 01

PAG 9

Doc. **59785Q500**

??????	391120									
??????	59785Q500		???????? 9				Drain valve			
.		Alias		S			.			(Euro)
0000	0S0950			S	C			DRAIN TAP; 2"		206,00
0001	000000	22901084								
0002	000000	36200302								
0003	000000	24003012								
0004	000000	22901225								
0005	000000	31010210								
0006	000000	31007370								
0007	000000	31004855								
0008	000000	51000210								
0009	004986	34012781		S				GASKET; FOR 2" DRAIN TAP		4,67



PLATON SERVICE

8 (800) 500-34-47

www.platonservice.com